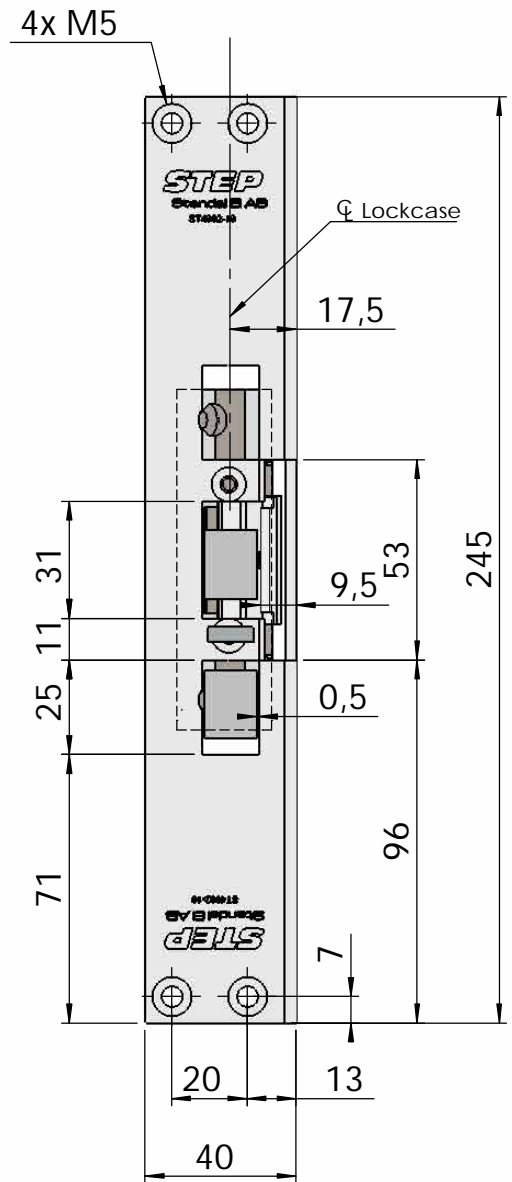
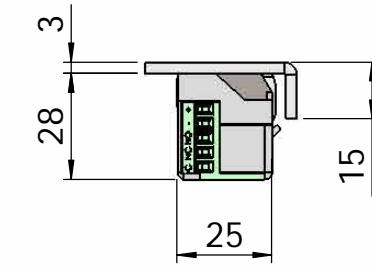
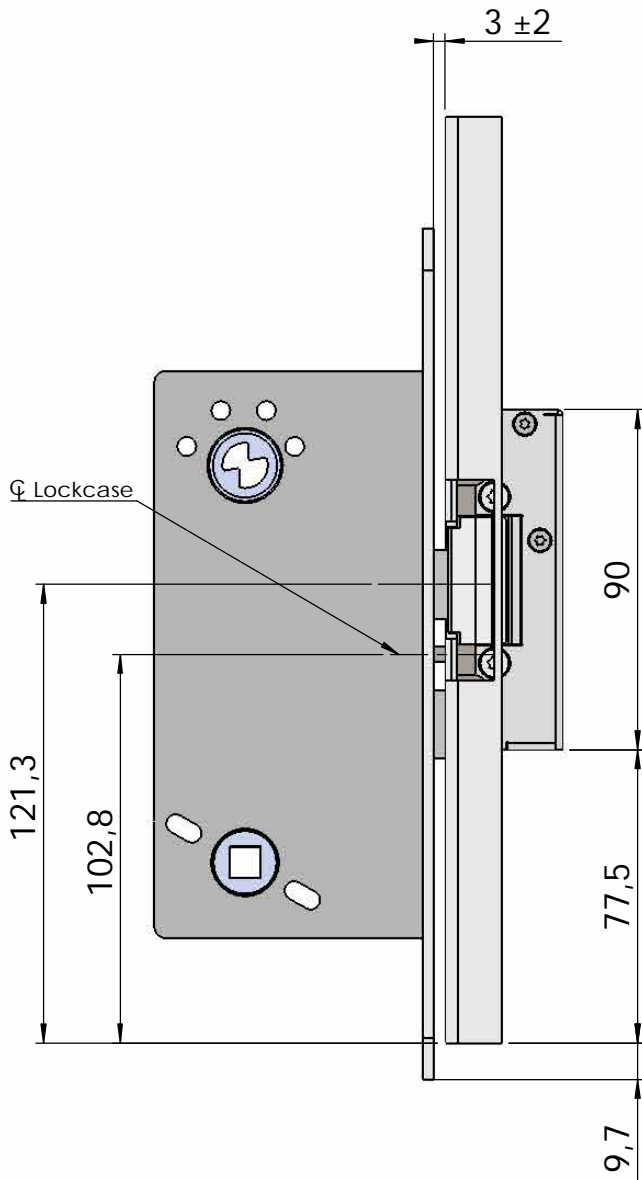




# Montering för Modul



This document shall not be copied without owners written allowance and its content shall not be exposed for third part nor be used for unauthorized purpose.

Owner  
**Stendals EI AB**

Title/Description  
STEP 40 med vinklad stolpe plös 10mm  
Montering för Modul

Drawing no.  
ST4002-10

Scale  
1:2

